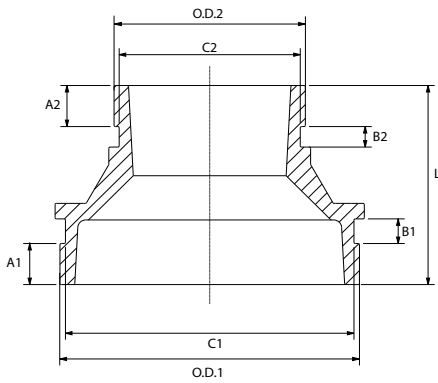


GROOVED CONCENTRIC REDUCER GRC



Grooved concentric reducers provide an economical and efficient method of reducing grooved piping systems.

Reference		Nominal size		Pipe Ø O.D.	Grooved concentric reducer dimensions							Weight
Red	Galva	NPS inch	DN mm	O.D.1 - O.D.2 mm	L mm	A1 mm	A2 mm	B1 mm	B2 mm	C1 mm	C2 mm	kg
GRCR	GRCG	1½ - 1¼	40 - 32	48,3 - 42,4	64	15,9	15,9	7,9	7,9	45,1	39,0	0,42
GRCR	GRCG	2 - 1½	50 - 40	60,3 - 48,3	64	15,9	15,9	7,9	7,9	57,2	45,1	0,42
GRCR	GRCG	2½ - 1½	65 - 40	76,1 - 48,3	64	15,9	15,9	7,9	7,9	72,3	45,1	0,50
GRCR	GRCG	2½ - 2	65 - 50	76,1 - 60,3	64	15,9	15,9	7,9	7,9	72,3	57,2	0,53
GRCR	GRCG	3 - 2	80 - 50	88,9 - 60,3	64	15,9	15,9	7,9	7,9	84,9	57,2	0,64
GRCR	GRCG	3 - 2½	80 - 65	88,9 - 76,1	64	15,9	15,9	7,9	7,9	84,9	72,3	0,69
GRCR	GRCG	4 - 2	100 - 50	114,3 - 60,3	76	15,9	15,9	9,5	7,9	110,1	57,2	1,08
GRCR	GRCG	4 - 2½	100 - 65	114,3 - 76,1	76	15,9	15,9	9,5	7,9	110,1	72,3	1,01
GRCR	GRCG	4 - 3	100 - 80	114,3 - 88,9	76	15,9	15,9	9,5	7,9	110,1	84,9	1,10
GRCR	GRCG	5 - 2	125 - 50	139,7 - 60,3	85	15,9	15,9	9,5	7,9	135,5	57,2	1,53
GRCR	GRCG	5 - 2½	125 - 65	139,7 - 76,1	85	15,9	15,9	9,5	7,9	135,5	72,3	1,55
GRCR	GRCG	5 - 3	125 - 80	139,7 - 88,9	85	15,9	15,9	9,5	7,9	135,5	84,9	1,56
GRCR	GRCG	5 - 4	125 - 100	139,7 - 114,3	85	15,9	15,9	9,5	7,9	135,5	110,1	1,71
GRCR	GRCG	6 - 3	150 - 80	168,3 - 88,9	85	15,9	15,9	9,5	7,9	164,0	84,9	2,03
GRCR	GRCG	6 - 4	150 - 100	168,3 - 114,3	85	15,9	15,9	9,5	9,5	164,0	110,1	2,44
GRCR	GRCG	6 - 5	150 - 125	168,3 - 139,7	85	15,9	15,9	9,5	9,5	164,0	135,5	2,48
GRCR	GRCG	8 - 6	200 - 150	219,1 - 168,3	85	19,1	15,9	11,1	9,5	214,4	164,0	3,30

Material specifications

Housing: ductile iron conform to ASTM A536 GR 65-45-12

Coating:

- Hot dip galvanized
- Red paint coating RAL 3000, EPD Epoxy coating

Working pressure

300 PSI/2068 kPa/20,7 barg

General notes:

- Pressure ratings listed are CWP (cold working pressure) or MWP (maximum working pressure) at a maximum service temperature of 50°C. This rating may occasionally differ from maximum working pressure listed and/or approved by UL and/or FM, as testing conditions and test pipes can differ. For more information, please contact info@profitings.eu.
- Maximum working pressure listed is total of internal and external pressures based on standard weight (ANSI) steel pipe and standard roll or cut groove in accordance with Profit specifications. For more information, please contact info@profitings.eu.
- For one time field test only, the maximum joint working pressure may be increased by 150% the figure shown.
- Warning: Piping systems must always be depressurized and drained before attempting disassembly and/or removal of any components.
- Profit reserves the right to change specifications, designs and/or standard equipment without notice and without incurring in any obligations.
- Profit red coated products are intended for piping with indoor application (EN 12944-2 corrosivity category C1 & C2). For outdoor installations near the sea (corrosivity category C3)
- We advise the use of our hot dip galvanized couplings and fittings. For application in corrosivity category C4 (higher salinity climate) or higher, please contact info@profitings.eu.
- We strongly advise to always store our products in closed and dry environments.