

NordicFlow® Shut-off valve

Description



Slot-load shut-off valve of epoxy-coated frame and EPDM rubber-covered flap .

Sizes: DN50 - DN200

Operating pressure.: 13,8 Bar

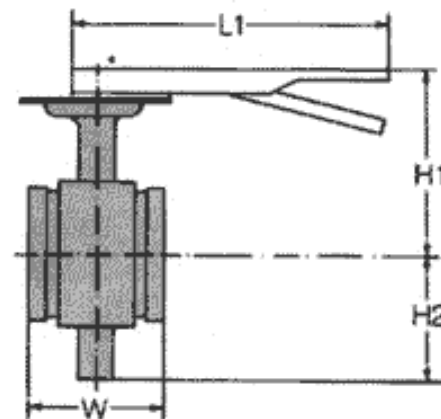
Max test pressure: 24,1 Bar

Material:

Body: Cast iron, powder-coated

Flap: Cast iron, EPDM coated

Kara: Stainless Steel



Dimensions:

Part Number	Size (")	DN (mm)	O.D. (mm)	L1 (mm)	W (mm)	H1 (mm)	H2 (mm)	W (kg)
1V30N0020001	2	50	60,3	229	81	118	71	2,7
1V30N0029001	2½	65	76,1	289	96,4	133	85	3,35
1V30N0030001	3	80	88,9	289	96,4	140	92	3,85
1V30N0045001	4	100	114,3	289	115,4	173	108	5,4
1V30N0052001	5	125	139,7	289	132,4	194	131	8,8
1V30N0053001	6	150	168,3	289	132,4	207	145	9,55
1V30N0054001	8	200	219,1	289	147,4	232	170	11,75